



NEW PRODUCT SPEC SHEET

Model Number: A18

- Recommend for AMD Processor, Socket AM4
- Active Cooler For 1U Server

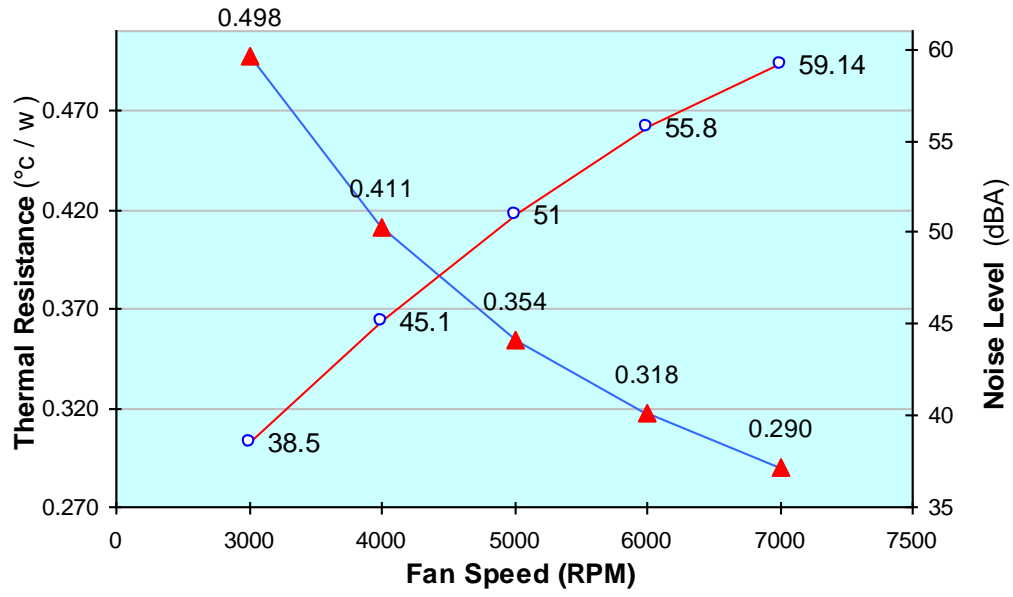
Overall Specification:

- Dimension: 106 x 76 x 27.5mm
- Weight: 450g \pm 5g
- Material: Copper 1100 with Skived Fins
- Fin Direction Perpendicular to System Airflow
- Alloy Frame Blower
- Convenient Heat Sink Captive Mounting
- Shin-Etsu 7762 Thermal Grease Pre-Printed
- Backing Plate is included
- Support CPU Power up to 95Watts

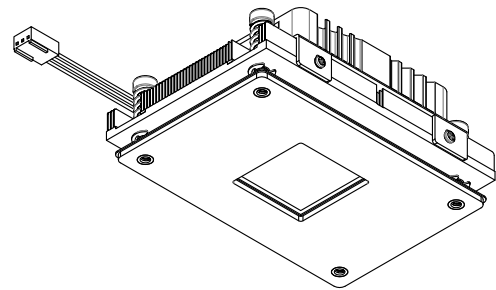
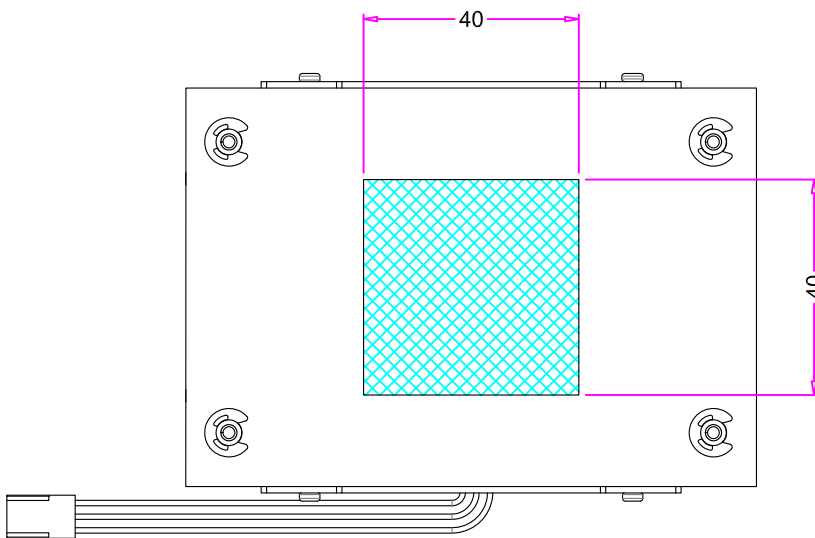
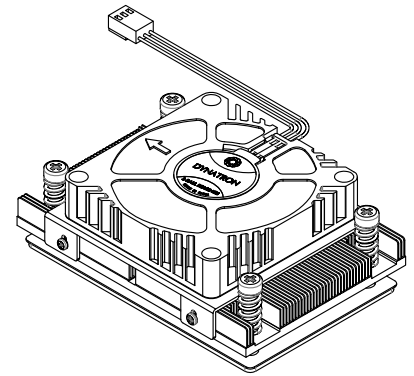
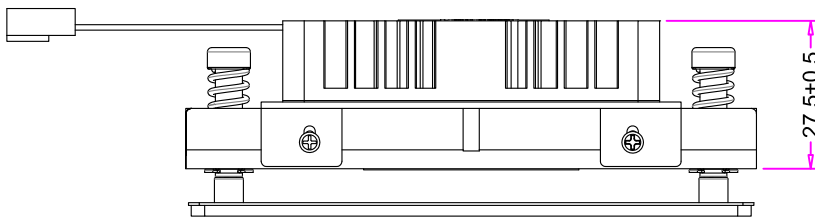
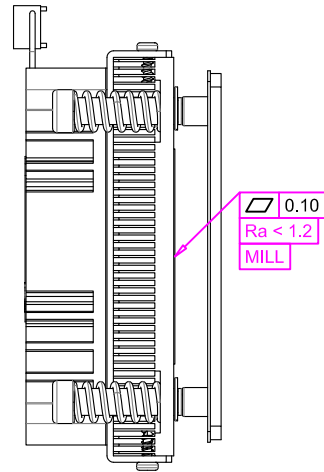
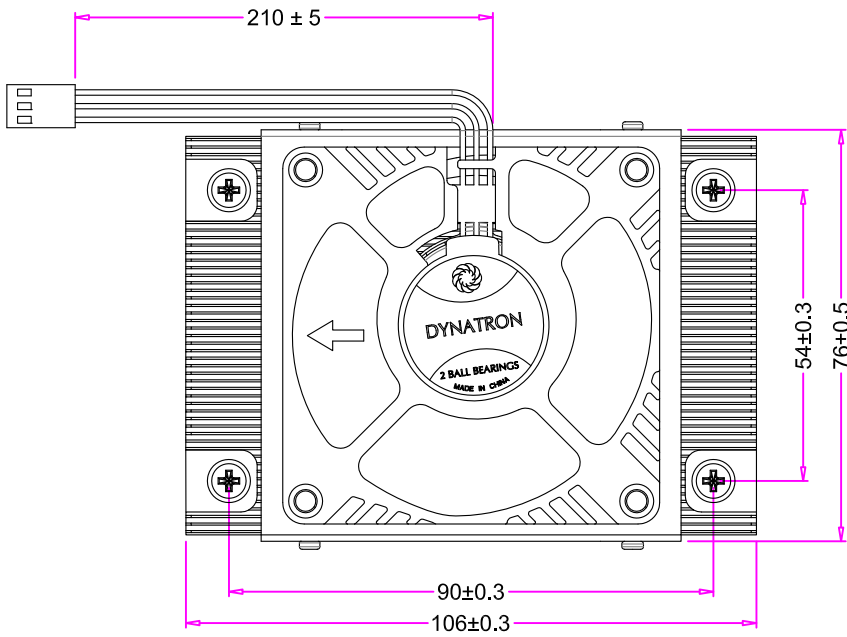
Blower Specification:

- Dimension: 70 x 70 x 15mm
- Rated Speed: 6000 \pm 10% RPM
- Bearing : Dual, Ball Bearing
- Rated Voltage: DC12V
- Maximum Airflow: 12.83 CFM
- Acoustical Noise: 53.8 dBA
- Lead Wire Pin Out : Pin#1 - Black (-)
Pin#2 - Red (+)
Pin#3 - White (Tachometer / Signal Output)

Active Cooler A18 Cooling Performance VS. Airflow & Acoustical Level:



REV#	DESCRIPTION	CHECKER	DATE
0.0	INITIAL RELEASE	LANG	03/28/17
1.0	CHANGE SCREW SETTING	LANG	05/15/17



Heatsink Bottom View with Backplate Hidden

10	THERMAL GREASE, PRE-PRINT	SHIN-ETSU 7762	1
9	INSULATOR	PC	1
8	BACKPLATE	SPCC	1
7	C-CLIP	STEEL	4
6	SPRING (50600390)	SUS 304	4
5	SCREW HEATSINK MOUNTING (50902650)	STEEL	4
4	HEATSINK, SKIVING FIN	COPPER 1100	1
3	SCREW, BLOWER MOUNTING	STEEL	4
2	BLOWER COVER	SPCC	1
1	BLOWER, DB127015BU - 3PIN - B, 6000RPM	ALUMINUM FRAME	1
ITEM#	DESCRIPTION	MATERIAL	QTY.

	NAME	DATE
DRAWN BY	ENGR	05/15/2017
CHECKED BY	LANG	05/15/2017
ENG. APPROVED		
MFG. APPROVED	-	-



TOP MOTOR

DYNATRON CORPORATION

TITLE: 1U Active Cooler **A18**
BOM & Overall Dimension Drawing

CONFIDENTIAL DOCUMENT

THIS DRAWING CONTAINS INFORMATION PROPRIETARY TO DYNATRON CORPORATION AND DYNAEON INDUSTRIAL CO., LTD. ANY REPRODUCTION, DISCLOSURE, OR USE OF THIS DRAWING IS EXPRESSLY PROHIBITED EXCEPT AS DYNATRON CORPORATION AND DYNAEON INDUSTRIAL CO., LTD. MAY OTHERWISE AGREE TO IN WRITING.

VIEW	
UNITS	MM

DWG. No:

DYN-BD-A18

REV.
1.0